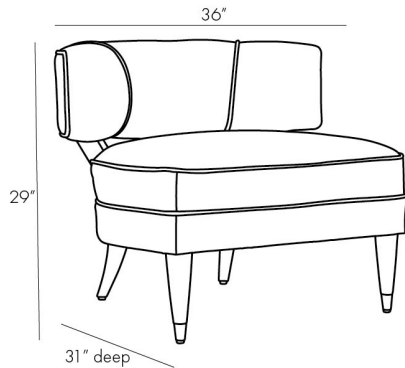


ARTERIOS

LAURENT CHAIR



4886
H: 29 IN, W: 36 IN, D: 31 IN
Morel Leather
Contract Suitable As Is

Tapered mahogany legs with brass feet support the Laurent's plush foundation and c-shaped back. The deep and wide seat is finished in a morel top grain leather to deliver comfort and style. Its versatile style allows this piece to function in various settings. Finish will vary.

APPEARANCE

Material	Brass, Leather, Wood
Finish	Antique Brass, Mahogany, Morel
Finish Will Vary	true
Top Coat/Sealant	false

SHIPPING

Shipping Requirements	TruckShip
Product Weight	58.53 LBS
Gross Weight 1	71.43 LBS
Shipping Box 1	H: 34 IN, L: 36.5 IN, W: 31.5 IN

CONTRACT

Contract Suitable	true
-------------------	------